

-IMPORTANT INFORMATION-

FREIGHT DAMAGE

The carrier who delivers merchandise to your door is responsible for loss and damage. Acceptance of the shipment by you is acknowledgement that all articles delivered were in good condition and properly packed. Therefore, all claims for loss of damage must be filed immediately with the freight carrier. Then notify us. We will mark your records accordingly. After settling claim, damaged merchandise will be picked up by the freight carrier and returned. Should you need assistance with the claim, call our Customer Service at 1-800-548-3373.

RETURN GOODS

When the error is not ours, merchandise returned for credit or exchange is subject to a 15% restocking charge. Goods must be returned in new condition with freight prepaid. Prior return authorization is required.

LIMITED WARRANTY

All wheelchair parts are warranted for one (1) year against defects in material or workmanship. Labor is covered for 90 days from Date of Shipment.

Defective parts will be repaired or replaced by the company or its appointed agent. The warranty does not cover damage caused by misuse or negligence, nor does it cover defects or damages by use, or unauthorized parts or service by an unauthorized person.

This warranty gives you specific legal rights, and you may also have other rights which vary from state to state.

All correspondence relating to this warranty must indicate: **model number** and **serial number** and be addressed to:

115 E. Linden Street • Rogers, Arkansas 72756 USA

-PRODUCT INFORMATION-

CARE CHAIR MODELS

- **CARE CHAIR SERIES:** The traditional style chair without a basket.
- **CARE CHAIR I SERIES:** The traditional style with a single heavy-duty front basket. Standard size 20" wide.
- **CARE CHAIR II SERIES:** Designed with two large rear baskets (no front basket) where the caregiver can shop with easy access to the baskets.
- **CARE CHAIR III SERIES:** Designed with all three baskets (front and rear). The unique Care Chair III is the right chair for shopping in your retail store. It pays for itself because it provides so much more purchasing capacity with over 5 cubic feet of basket space.

FRONT & REAR BASKETS

- **FRONT BASKET:** Sturdy rugged design rated up to 40-pound capacity. The R.H. support bracket provides a pivot for the basket to swing up out of the way, thus allowing free access to and from chair. The L.H. support bracket supports and stabilizes the baskets in a level, "in use" position.
- **REAR BASKET CADDY:** Fills large capacity requirements by providing two baskets, one above the other. Maximum weight for each rear basket is 50-pounds.

**-SAFETY INFORMATION-
CHAIR MAINTENANCE & SAFETY INSPECTION**

- **WARNING:** Be sure both Warning Decals are on the basket and operating instructions are on outside of left hand clothing guard.
- **24" "UNI-MOLD" MAG COMPOSITE WHEELS:** Our exclusive wheel design provides high strength, low maintenance, and is lightweight. One piece molded construction guarantees superior rollability and performance. Outlasts conventional tires by up to three (3) times. Periodically examine tires for wear. Worn tires will make your wheelchair difficult to propel. Both wheels should be replaced at the same time to prevent chair from pulling to one side. Adjust loose or wobbly wheels. First remove hubcap, remove all dirt and lint from outside of bearings, and tighten axle locknut. Tilt the wheelchair to one side and spin the wheel, if it stops abruptly it is too tight. Readjust the axle bolt, replace hub cap.
- **8" CASTERS:** Wheel is secured to the caster fork by an axle bolt and nut. To adjust, rotate bolt and lock with nut. Wheel should be snug but free spinning. If the caster flutters or shimmys, remove the caster cap. Adjust the locknut located under the caster cap. Take-up all play. Back-off about 1/2 turn. Replace cap.
- **X-BRACE:** The pivot bolt is extra long to permit flexing of the wheelchair frame so all 4 wheels contact the ground when crossing uneven surfaces. The pivot bolt's nut must be fully engaged but not tightened down, allowing the bolt to move freely. If the pivot bolt becomes worn, replace.
- **NO LOCKING BAR ON CCII:** (Basket keeps from collapsing.) CCI & CCIII have front Anti-Stance locking bar.
- **ANTI-TIPPER REAR CASTER WHEELS:** Replace if worn, broken or missing. (CCII & CCIII)
- **WHEEL BRAKES:** As tires wear, adjust brakes to prevent 24" wheels from turning when brakes are engaged. To adjust, loosen the locknut located under the clamp bracket. Slide brake on rail to proper position. Retighten the locknut. IF BRAKES BECOME WORN, REPLACE IMMEDIATELY.
- **ARMREST:** Most arm rests are color-keyed hard molded. Besides being comfortable, they are durable. To maintain appearance and comfort, replace arm rests if they become cracked, worn or discolored.
- **CLOTHING GUARDS:** Wheelchairs use screw-attached stainless steel clothing guards.
- **SEAT AND BACK UPHOLSTERY:** Only premium grade vinyl or neoprene is used. Inner liners are made of textile to prevent sag and wear. REPLACE IMMEDIATELY IF UPHOLSTERY IS RIPPED OR SAGS. To ensure comfort and uniformity of appearance, both seat and back upholstery should be replaced together.
- **FOOTRESTS:** All footrests are height adjustable. A simple cross-bolt provides quick and easy adjustments.
- **WEIGHT LIMITATION:** 20" chair width, 400-pound occupant. Front basket 40 pounds, rear basket 50 pounds each.
- **CLEANING AND POLISHING:** The upholstery, vinyl components, wheels and tires can be cleaned with warm water and a mild detergent. Wipe dry immediately with a soft clean cloth.



115 E. Linden • Rogers, Arkansas 72756 USA
(479) 636-5776 • Fax: (479) 636-3245
International (001) 479-636-5776

www.martcart.com
800-548-3373



20"



CONGRATULATIONS

You have just purchased the finest American made shopping wheelchair available today. This wheelchair, with shopping basket options, is specifically designed with comfort for your valued customers.

To assure optimum wheelchair usage, performance and long life, please read this manual thoroughly. If you need assistance, please call 1-800-548-3373.

**TO ORDER PARTS CALL:
(479) 636-5776 OR 1-800-548-3373
(US & Canada only)
International: (001) 479-636-5776**

IMPORTANT DOCUMENT – DO NOT DISCARD

Serial Number:

Date Shipped:

NOTE: Specifications found in this manual subject to change without notice.

FOR COMMERCIAL USE ONLY. NOT FOR PERSONAL USE.



MC1-CC20-0M-170712-EN

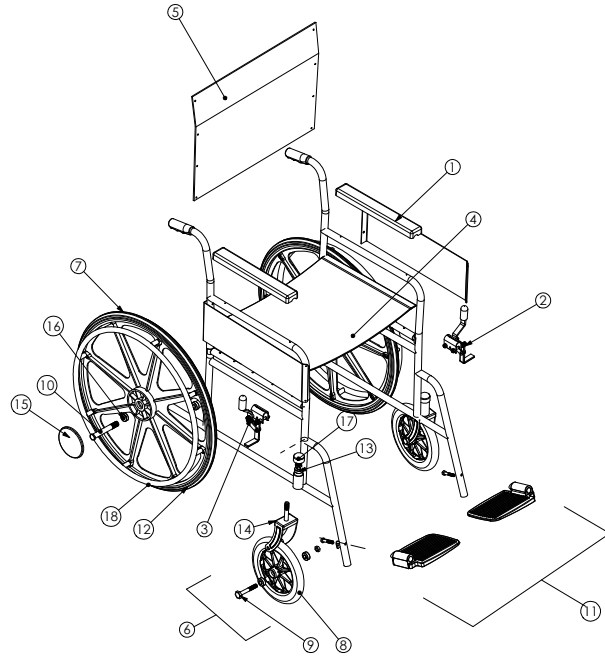
PRINTED IN THE USA

Specifications are subject to change without notice.

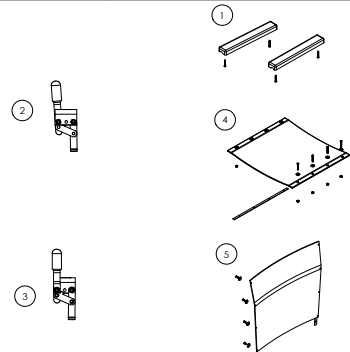
All warranty claims should be called in to 1-800-548-3373 or (479) 636-5776. Ask for service. Please provide serial number for warranty verification when requesting service.

Care Chair – 20"

Main Assembly
Handbrake & Seat Assembly
Wheel & Caster Assembly

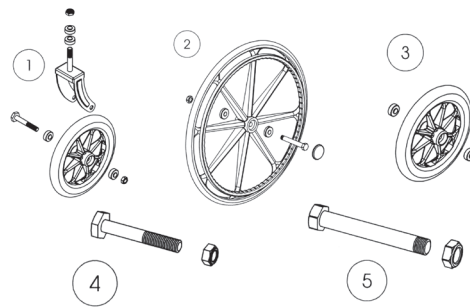


ITEM NO.	PART NUMBER	DESCRIPTION	QTY.
1	210-1138	ARM REST ASSEMBLY, BOTH	1
2	250-1139	BRAKE ASSEMBLY, LEFT HAND	1
3	250-1140	BRAKE ASSEMBLY, RIGHT HAND	1
4	250-1659	SEAT ASSEMBLY, GRAY	1
5	250-1658	SEAT BACK ASSEMBLY, GRAY	1



ITEM	PART#	DESCRIPTION
1	210-1138	Arm Rest Assy, Both
2	250-1139	Brake Assy, LH
3	250-1140	Brake Assy, RH
4	250-1659	Seat Assy, Gray
5	250-1658	Seat Back Assy, Gray
6	250-1700	Caster Assy, 8" Swivel
7	250-1572	Wheel Assy, Rear
8	250-1701	Wheel Assy, 8"
9	250-1702	Axle Bolt & Nut, 8"
10	250-1703	Axle Bolt & Nut, Rear
11	250-1566	Foot Rest, Set
12	200-1794	Wheel and Tire
13	250-1710	Bearing, Stem, Caster
14	250-1711	Fork, 8" Caster
15	250-1713	Hub Cap
16	250-1714	Bearing, Rear Wheel
17	250-1715	Dust Cap, Front Stem
18	250-1722	Handrim & Screws

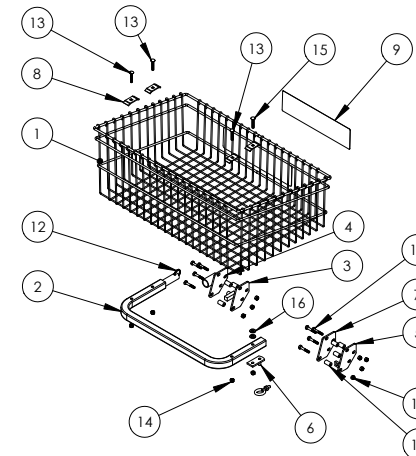
ITEM NO.	PART NUMBER	DESCRIPTION
1	250-1700	CASTER ASSEMBLY, 8" SWIVEL
2	250-1572	WHEEL ASSEMBLY, REAR
3	250-1701	WHEEL ASSEMBLY, 8"
4	250-1702	AXLE BOLT (8" WHEEL) & NUT
5	250-1703	AXLE BOLT (REAR WHEEL) & NUT



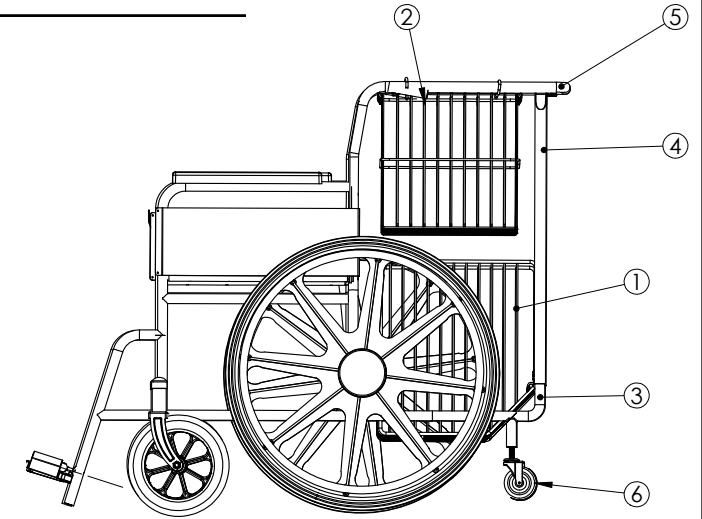
Care Chair Baskets

Basket Assembly
Foot Rest Assembly

ITEM	PART#	DESCRIPTION
1	250-1605	Basket, Bottom
2	250-1604	Basket, Upper
3	250-1644	Tube, Lower Support
4	200-0130	Tube, Upper Structure
5	250-1606	Caddy, Handle Bar
6	200-1363	3" Castor



ITEM	PART#	DESCRIPTION
1	250-1600	Basket, Front, CC1
2	250-1601	Frame, Mount Tube
3	200-0401	Bracket, Inner Pivot, R.H.
4	200-0400	Bracket, Outer Pivot, RH
5	200-0402	Rest, Outer, Basket, LH
6	200-1235	Catch Pin, Locator, Bracket
7	200-0403	Plate, Clamping
8	200-1236	Clip, Basket Mounting
9	250-1728	Decal: Warning, Prevent Personal
10	200-1523	Spacer, Nylon, .5x.257
11	025-0028	Bolt, .25-20 x 1.5, HH, CZ, 5
12	200-1697	Safety Ring W/Chain
13	025-0001	Bolt, .25-20x1.5, CB, CZ, 5
14	021-0018	Nut, .25-20.HN, Nylon Lock, CZ
15	025-0005	Bolt, .25-20x1.75, CB, CZ, 5
16	020-0028	Washer, 1/4X3/4X.075, Flat, CZ



ITEM NO.	PART NUMBER	DESCRIPTION	QTY.
1	250-1640	Basket Care Chair, Complete	1
2	250-1566	Footrest, Foot Plate W/Extension Tubes	1

